



HEIDENHAIN



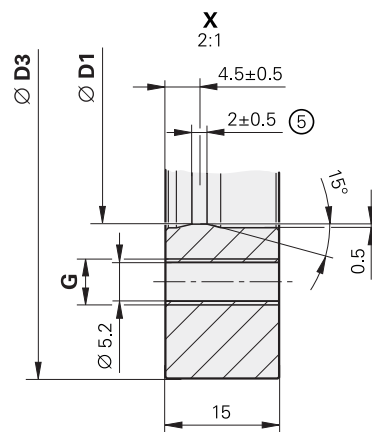
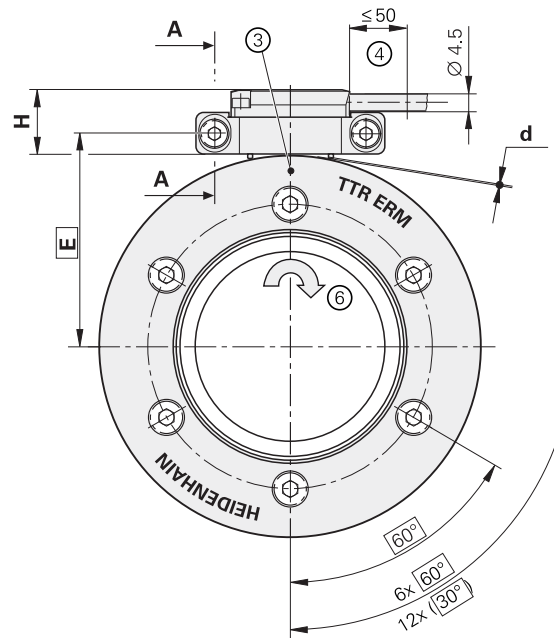
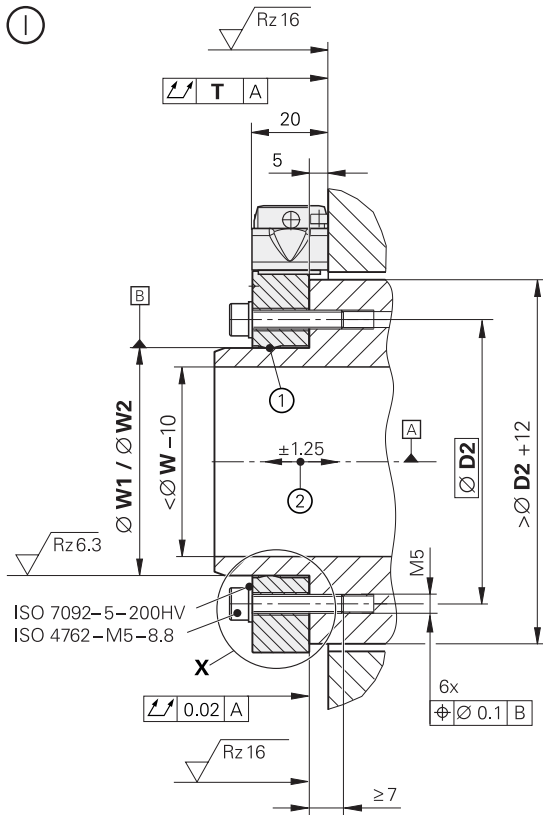
Product Information


ERM 2203

Incremental Angle Encoder
with Magnetic Scanning
and High Accuracy

ERM 2203

Dimensions

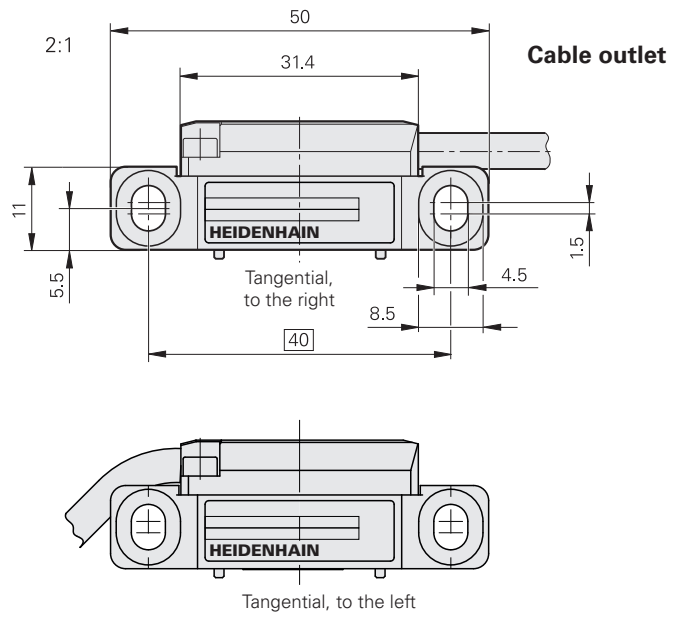
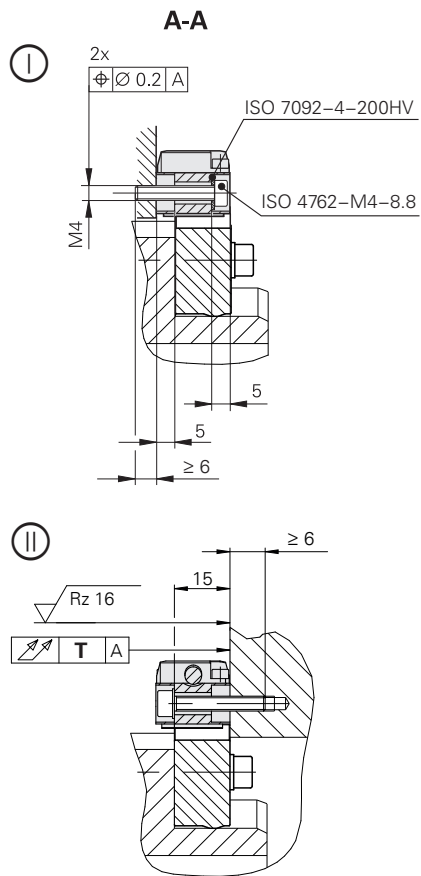


mm

 Tolerancing ISO 8015
 ISO 2768 - m H
 < 6 mm: ± 0.2 mm

W1 = Without mechanical fault exclusion
 W2 = With mechanical fault exclusion
 ⓐ, ⓑ = Mounting option for scanning head

ⓐ = Bearing of mating shaft
 1 = Shaft fit; ensure full-surface contact
 2 = Axial tolerance of mating shaft
 3 = Reference mark position
 4 = Cable support
 5 = Centering collar
 6 = Direction of shaft rotation for ascending position values

Scanning head	H	T	Mounting clearance d (with spacer shim)
AK ERM 2283	17 mm	0.02 mm	0.05 mm



Scale drum	D1	W1	W2	D2	D3	E	G
TTR ERM 2203	∅ 40 +0/-0.007	∅ 40 +0.009/+0.002	∅ 40 +0.010/+0.003	∅ 50	∅ 75.44	43.4	6x M6
	∅ 55 +0/-0.008	∅ 55 +0.010/+0.002	∅ 55 +0.015/+0.007	∅ 70	∅ 90.53	51.0	6x M6
	∅ 70 +0/-0.008	∅ 70 +0.010/+0.002	∅ 70 +0.019/+0.011	∅ 85	∅ 113.16	62.3	6x M6
	∅ 80 +0/-0.008	∅ 80 +0.010/+0.002	∅ 80 +0.022/+0.014	∅ 95	∅ 128.00	70.1	6x M6
	∅ 105 +0/-0.010	∅105 +0.013/+0.003	∅105 +0.031/+0.021	∅ 120	∅ 150.88	81.2	6x M6
	∅ 130 +0/-0.012	∅120 +0.015/+0.003	∅130 +0.041/+0.029	∅ 145	∅ 176.03	93.7	6x M6
	∅ 160 +0/-0.012	∅160 +0.015/+0.003	∅160 +0.049/+0.037	∅ 175	∅ 213.24	112.3	6x M6
	∅ 180 +0/-0.012	∅180 +0.015/+0.003	∅180 +0.055/+0.043	∅ 195	∅ 257.50	134.5	6x M6
	∅ 260 +0/-0.016	∅260 +0.020/+0.004	∅260 +0.082/+0.066	∅ 275	∅ 326.90	169.2	6x M6

ERM 2203

- Consists of a scanning head and scale drum
- High graduation accuracy
- Small interpolation error
- No reversal error



Scale drum	TTR ERM 2203 Grating period $\approx 200 \mu\text{m}$				
Measuring standard Coefficient of expansion	Steel drum $\alpha_{\text{therm}} \approx 10 \cdot 10^{-6} \text{ K}^{-1}$				
Signal periods	1200	1440	1800	2048	2400
Drum inside diameter*	40 mm	55 mm	70 mm	80 mm	105 mm
Drum outside diameter*	75.44 mm	90.53 mm	113.16 mm	128.75 mm	150.88 mm
Accuracy of graduation	$\pm 6.5''$	$\pm 5.5''$	$\pm 4.5''$	$\pm 4''$	$\pm 3.5''$
Interpolation error per signal period	$\pm 4''$	$\pm 3.5''$	$\pm 3''$	$\pm 2.5''$	$\pm 2''$
Reference mark	One or distance-coded				
Mech. permissible speed	$\leq 19000 \text{ rpm}$	$\leq 18500 \text{ rpm}$	$\leq 14500 \text{ rpm}$	$\leq 13000 \text{ rpm}$	$\leq 10500 \text{ rpm}$
Max. angular acceleration	27000 rad/s^2	20000 rad/s^2	9000 rad/s^2	6000 rad/s^2	4900 rad/s^2
Moment of inertia	$0.32 \cdot 10^{-3} \text{ kgm}^2$	$0.63 \cdot 10^{-3} \text{ kgm}^2$	$1.5 \cdot 10^{-3} \text{ kgm}^2$	$2.6 \cdot 10^{-3} \text{ kgm}^2$	$4.4 \cdot 10^{-3} \text{ kgm}^2$
Mass	$\approx 0.35 \text{ kg}$	$\approx 0.44 \text{ kg}$	$\approx 0.69 \text{ kg}$	$\approx 0.89 \text{ kg}$	$\approx 1.0 \text{ kg}$

	2800	3392	4096	5200
	130 mm	160 mm	180 mm	260 mm
	176.03 mm	213.24 mm	257.50 mm	326.90 mm
	±3"	±2.5"	±2"	±1.5"
	±2"	±1.5"	±1.5"	±1"
	≤ 9000 rpm	≤ 7000 rpm	≤ 6000 rpm	≤ 4500 rpm
	3300 rad/s ²	1900 rad/s ²	820 rad/s ²	560 rad/s ²
	7.4 · 10 ⁻³ kgm ²	16 · 10 ⁻³ kgm ²	37 · 10 ⁻³ kgm ²	76 · 10 ⁻³ kgm ²
	≈ 1.2 kg	≈ 1.8 kg	≈ 3.0 kg	≈ 3.5 kg

Scanning head	AK ERM 2283
Interface	$\sim 1 V_{PP}$
Cutoff frequency (-3dB)	≥ 300 kHz
Grating period	≈ 200 μ m
Electrical connection	Cable, 1 m, with or without 12-pin M23 coupling (male)
Cable outlet	Tangential, to the left or right
Supply voltage	DC 5 V ± 0.5 V
Current consumption (typical)	≤ 35 mA (without load)
Cable length ¹⁾	≤ 150 m
Vibration 55 Hz to 2000 Hz Shock 6 ms Shock 6 ms, with fault exclusion for the loosening of the mechanical connection	≤ 400 m/s ² (EN 60068-2-6) ≤ 1000 m/s ² (EN 60068-2-27) ≤ 400 m/s ² (EN 60068-2-27)
Operating temperature	-10 °C to 60 °C
Protection class EN 60529	IP67
Mass Scanning head Connecting cable Coupling (M23)	≈ 30 g (without cable) ≈ 37 g/m ≈ 50 g

¹⁾ With HEIDENHAIN cable

HEIDENHAIN

DR. JOHANNES HEIDENHAIN GmbH

Dr.-Johannes-Heidenhain-Straße 5

83301 Traunreut, Germany

☎ +49 8669 31-0

☎ +49 8669 32-5061

E-mail: info@heidenhain.de

www.heidenhain.de

This Product Information document supersedes all previous editions, which thereby become invalid. The basis for ordering from HEIDENHAIN is always the Product Information document edition valid when the order is made.



Further information:

- Brochure: *Modular Angle Encoders with Optical Scanning*
- Brochure: *Interfaces of HEIDENHAIN Encoders*
- Brochure: *Cables and Connectors*

ID 745168

ID 1078628

ID 1206109